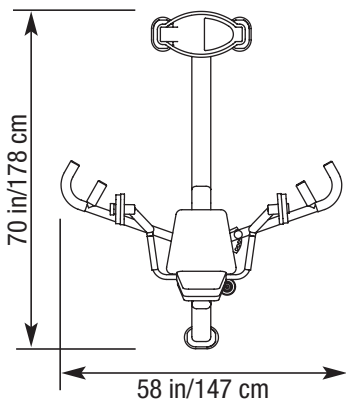




www.tuffstufffitness.com

CG-7515 DUAL INNER/OUTER THIGH

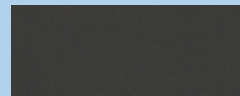


Height: 59 in/150 cm
Weight: 405 lb/213 kg

- Heavy duty 2" x 4" 11-gauge oval steel frames combined with 2" 11-gauge round tubing accents.
- Unique dual design allows easy transition between inner and outer thigh exercises with one pull-pin adjustment.
- Multiple start positions for both inner and outer thigh exercises.
- Swivel thigh pads allow quick exercise set up.
- Built-in side handles for control and support.
- Sealed 2" roller bearings and 1" diameter solid steel axle encased in machined housing on all primary pivot points.
- 4-1/2" and 3-1/2" diameter fiberglass reinforced nylon pulleys with sealed bearings enclosed in protective steel covers.
- High density EMR Urethane foam padding with double-stitched upholstery secured to 3/4" plywood backing.
- Eight-step electrostatically applied powder coat finish and baked at 400°F carefully monitored to ensure complete curing.
- USA-Made/Certified 2200 lbs. 3/16" military-spec nylon coated cable.
- Magnetically secured selector pins and steel weight stacks are easily accessible from seated position.
- 3/4" precision ground, hard chrome finish, solid steel guide rods.
- Composite SMC safety weight stack enclosures with decorative built-in storage compartment cover.
- Thermoplastic rubber handgrips secured with aluminum end caps for durability and improved feel.
- Quick bolt-on/removable bottle and towel holder (included).
- Protective rubber stabilizer feet with anchoring holes.
- 150 lbs. steel weight stack.



- Custom two tone finish (standard):
(1) Platinum Sparkle – main frame
(2) Charcoal Texture – accent



- Black upholstery (standard):
Premium vinyl with protective finish, mildew resistant, anti-microbial, oil and stain resistant. Meets or exceeds most flammability test requirements.

Custom colors are available. Inquire with your sales representatives.

WARRANTY

- 10 YEARS:** Structural main frames, welds, cams and weight plates.
- 5 YEARS:** Pivot bearings, pulleys, bushings, guide rods and gas shocks.
- 1 YEAR:** Linear bearings and pull-pin components.
- 6 MONTHS:** Upholstery, cables, finish, and rubber grips.
- ALL OTHER PARTS** not mentioned, one year from the date of delivery to the original purchaser.

CALGYM
BY TUFFSTUFF FITNESS